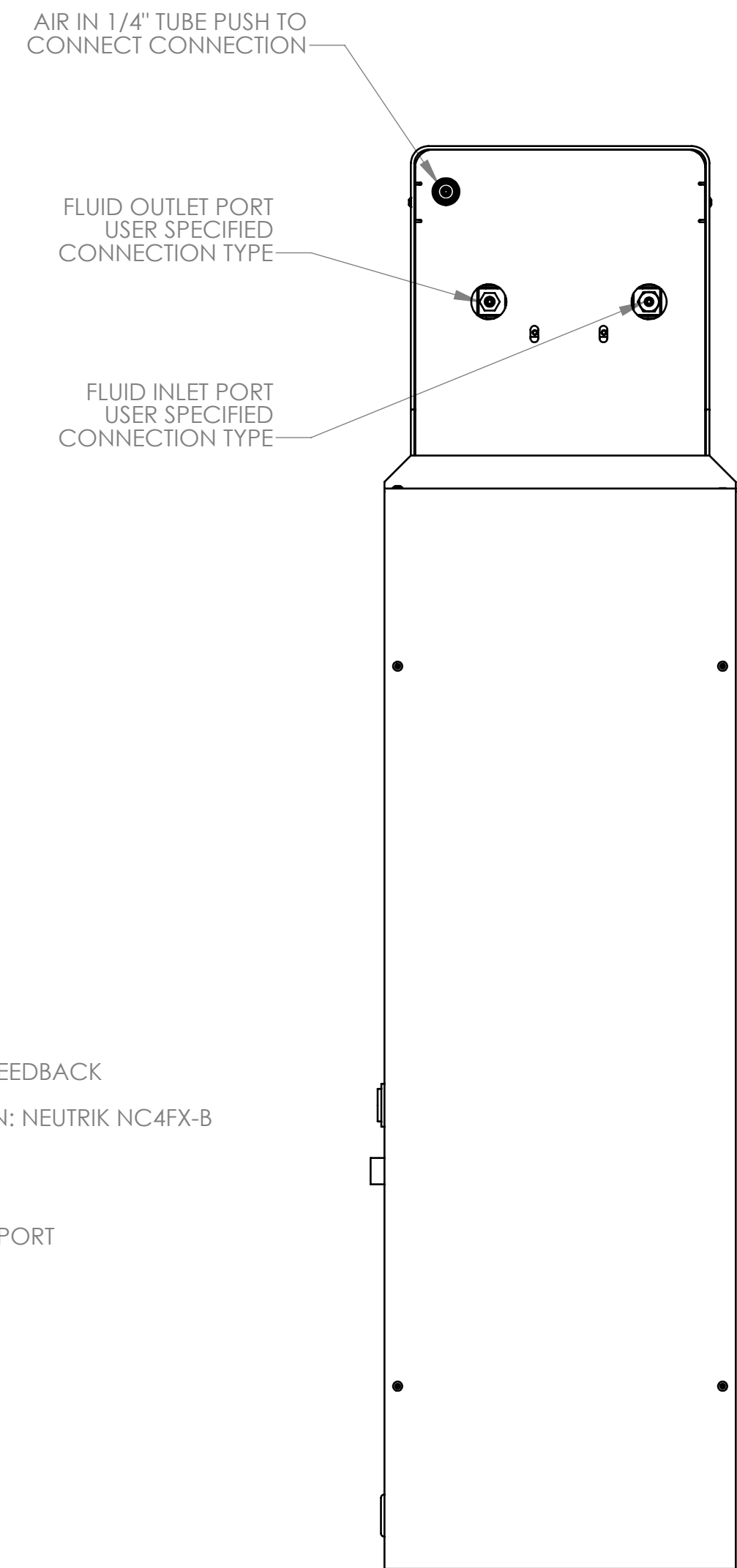
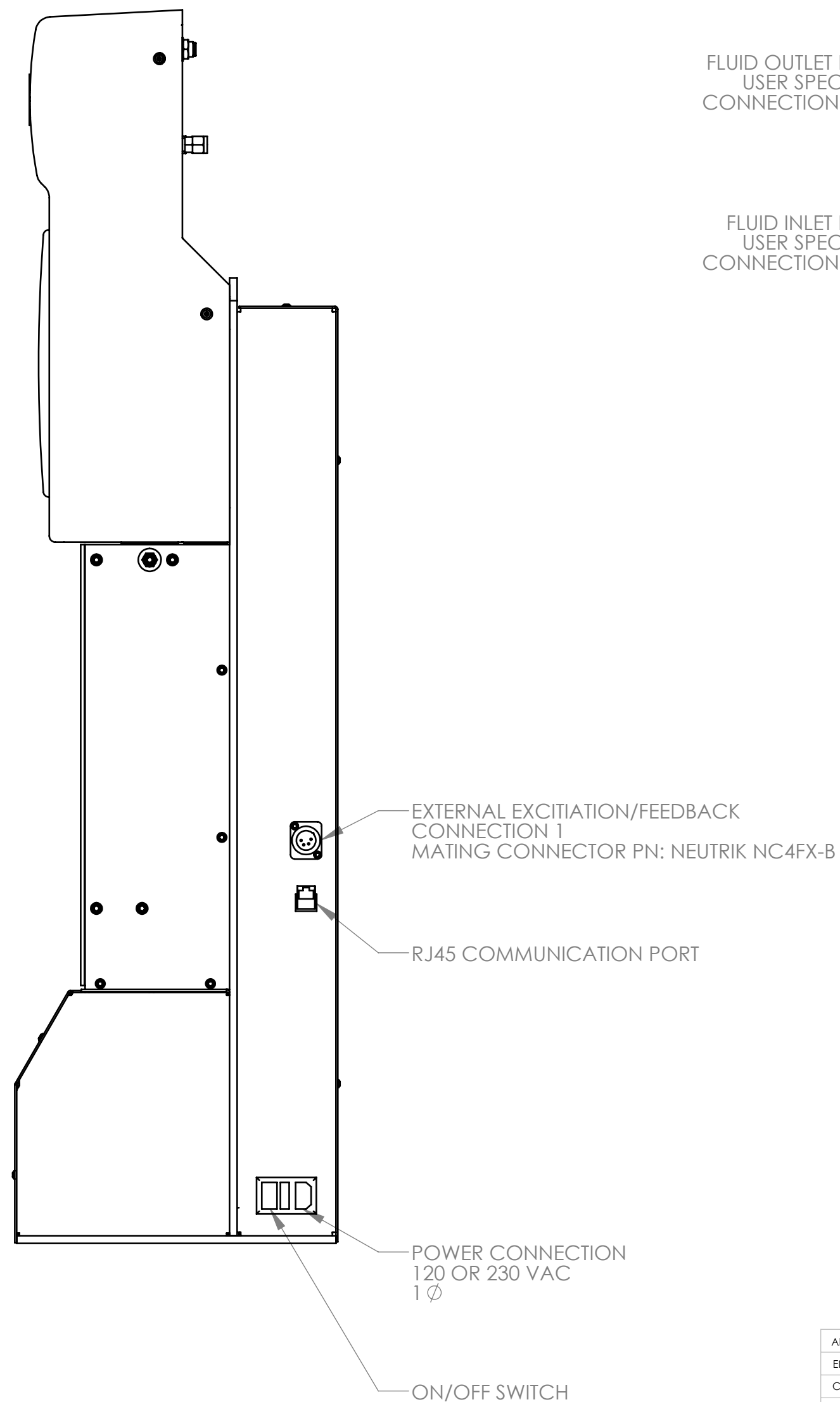
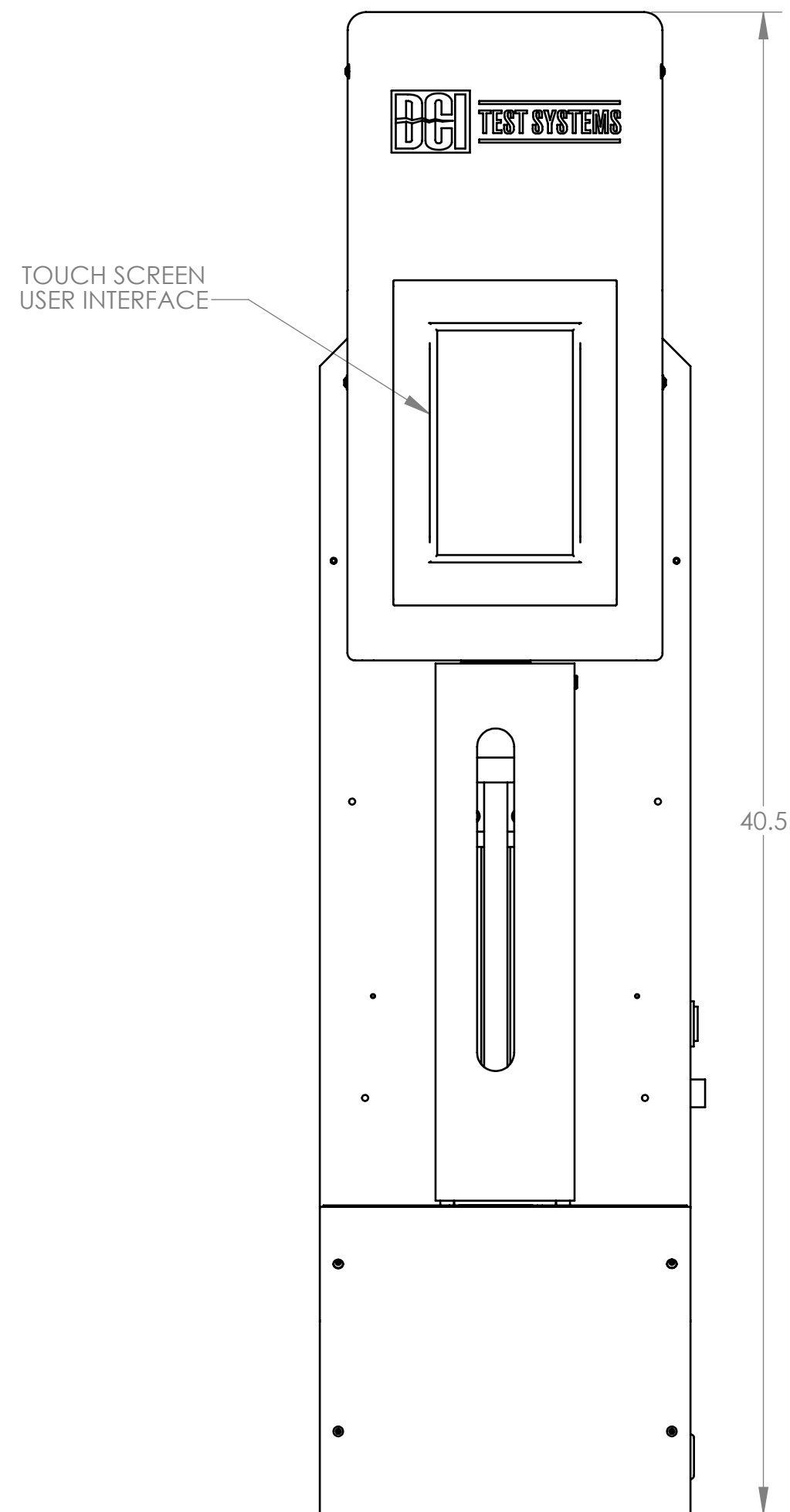
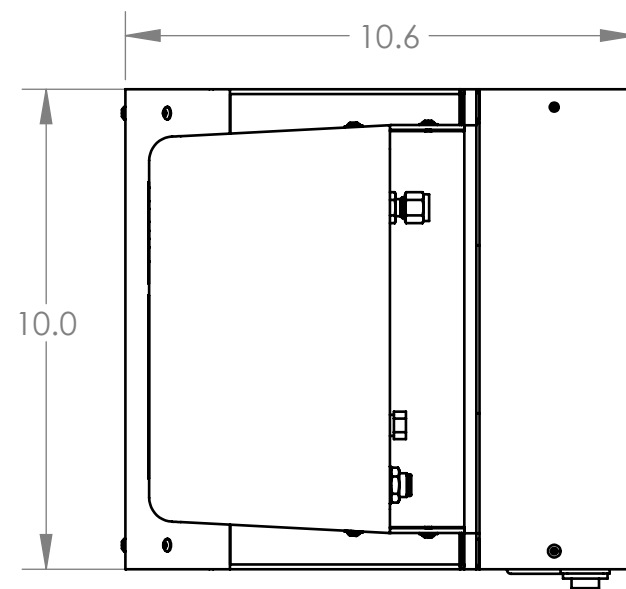


| REVISIONS | | | | |
|-----------|------|-----------------|---------|----------|
| ZONE | REV. | DESCRIPTION | DATE | APPROVED |
| | A | INITIAL RELEASE | 7/14/17 | SPH |



| | | | | |
|-----------------------------|----------|-----------|--------|--|
| APPROVED | - | - | | TITLE: SERIES 16 SINGLE CONFIG. OUTLINE DRAWING SIZE DWG. NO. 4641 REV A NOT TO SCALE REF. ASS'Y: SHEET 1 OF 1 |
| ENGINEER | - | - | | |
| CHECKED | - | - | | |
| DRAWN | DWW | 7/13/17 | | |
| UNLESS OTHERWISE SPECIFIED: | | | DATE | |
| BASIC DIM. | DECIMALS | FRACTIONS | | |
| | 2PLCS | 3PLCS | | |
| UNDER 6" | ± 0.02 | ± 0.010 | ± 1/32 | |
| 6" TO 24" | ± 0.03 | ± 0.020 | ± 1/16 | |
| OVER 24" | ± 0.06 | ± 0.030 | ± 1/8 | |