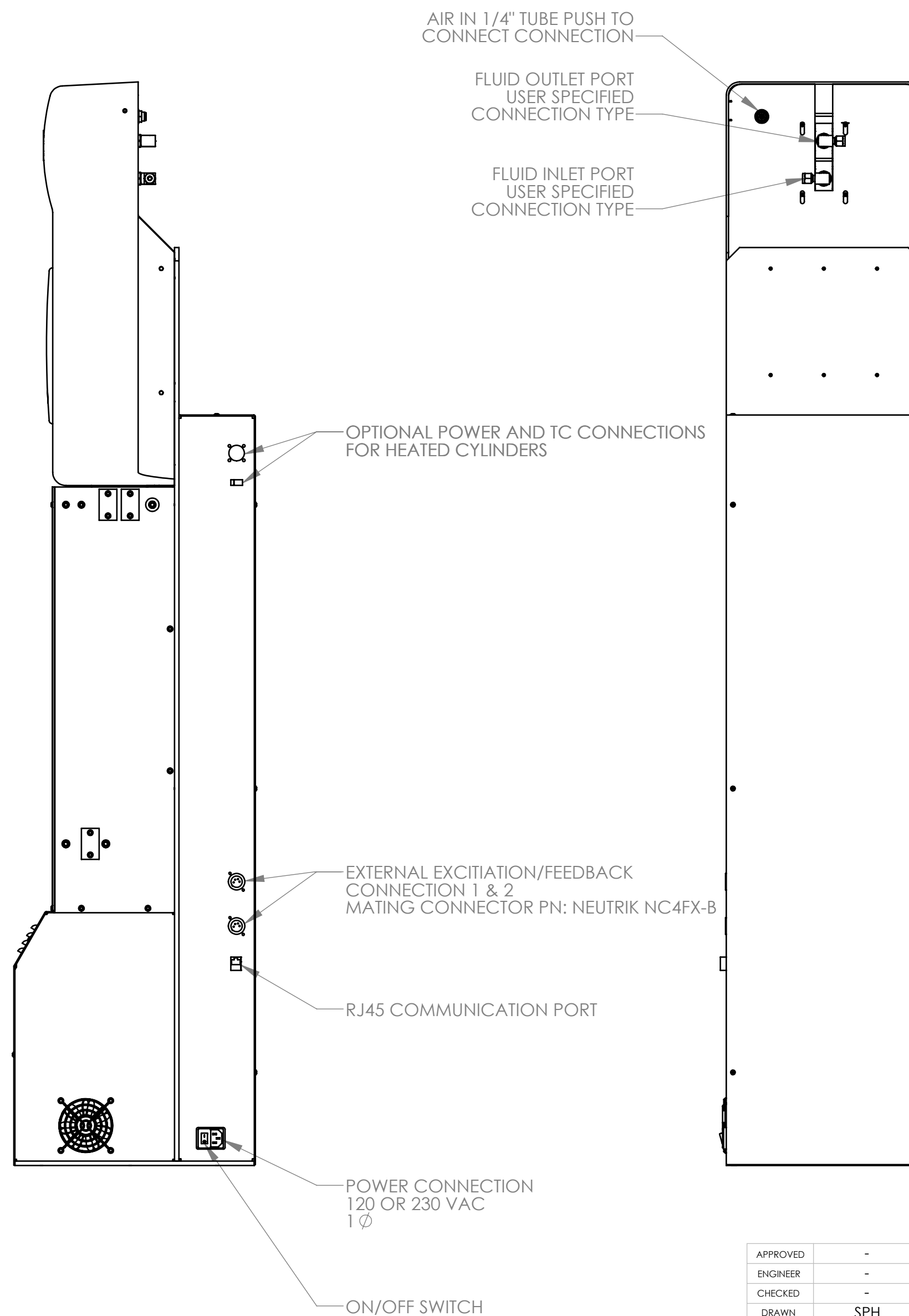
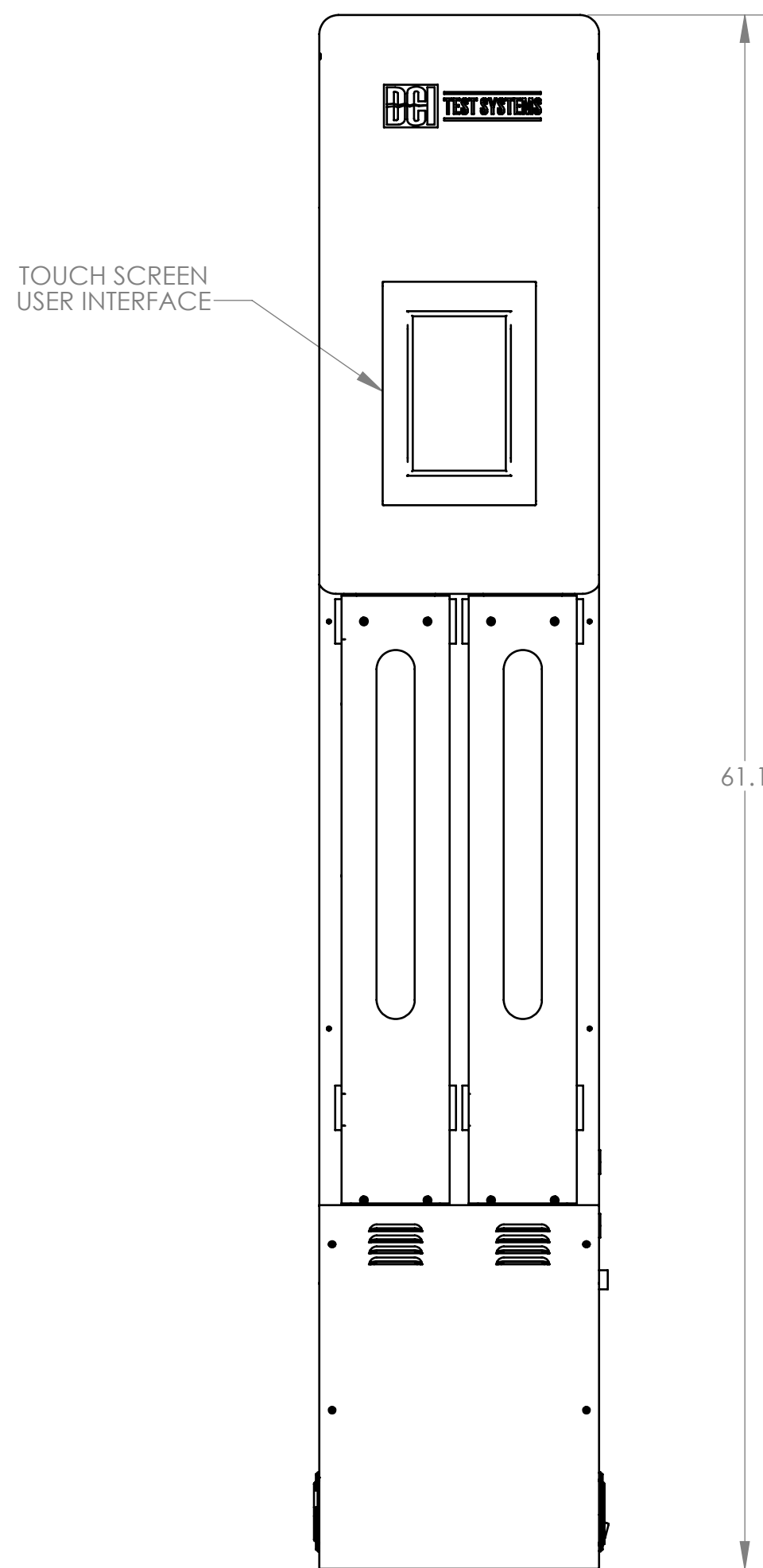
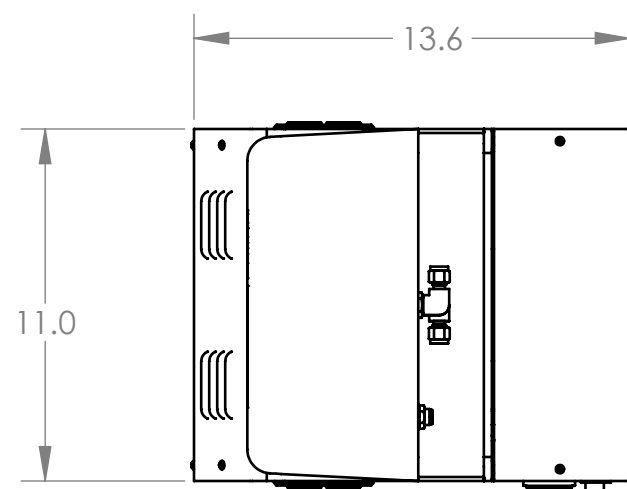


REVISIONS				
ZONE	REV.	DESCRIPTION	DATE	APPROVED
-	A	INITIAL RELEASE	7/14/17	SPH



APPROVED	-	-		TITLE: SERIS 32 DUAL CONFIG. OUTLINE DRAWING
ENGINEER	-	-		
CHECKED	-	-		
DRAWN	SPH	7/14/17		
UNLESS OTHERWISE SPECIFIED:			DATE	
BASIC DIM.	DECIMAL	FRACTIONS		
	2PLCS	3PLCS		
UNDER 6"	± 0.02	± 0.010	± 1/32	
6" TO 24"	± 0.03	± 0.020	± 1/16	
OVER 24"	± 0.06	± 0.030	± 1/8	
SIZE DWG. NO. 4642 REV A				SHEET 1 OF 1
NOT TO SCALE REF. ASS'Y:				