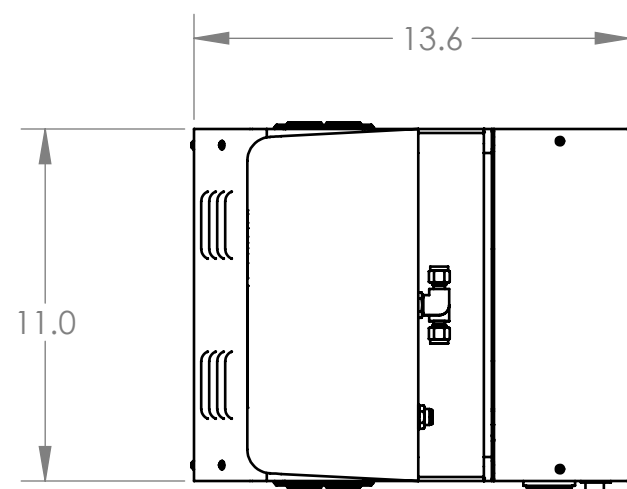


REVISIONS				
ZONE	REV.	DESCRIPTION	DATE	APPROVED
-	A	INITIAL RELEASE	7/14/17	SPH



AIR IN 1/4" TUBE PUSH TO CONNECT CONNECTION

FLUID OUTLET PORT
USER SPECIFIED
CONNECTION TYPE

FLUID INLET PORT
USER SPECIFIED
CONNECTION TYPE

OPTIONAL POWER AND TC CONNECTIONS
FOR HEATED CYLINDERS

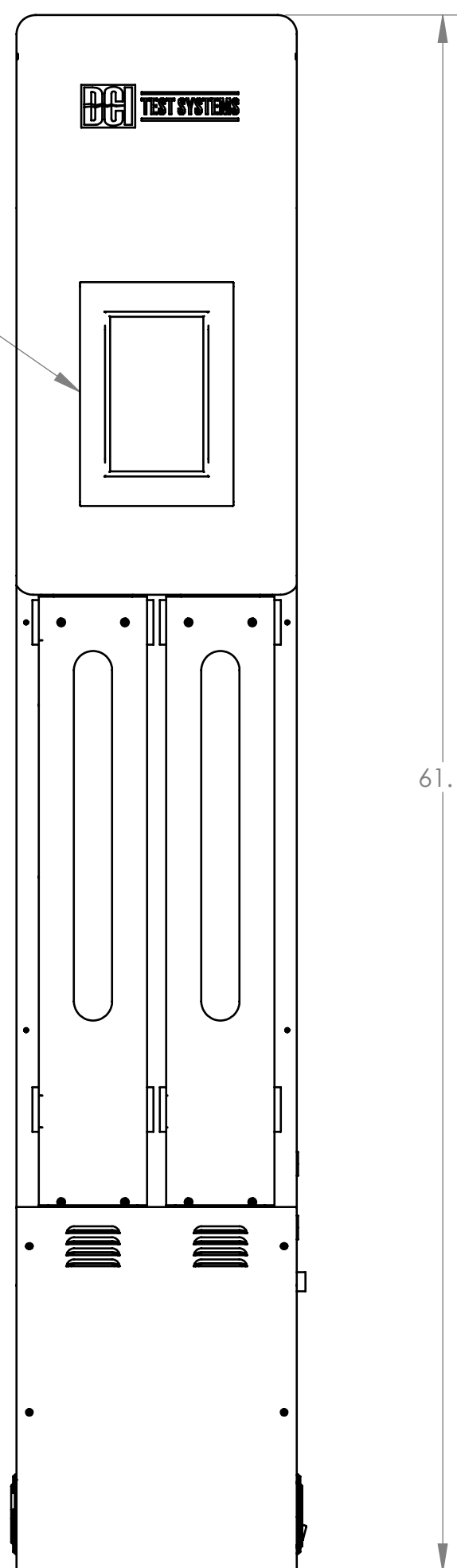
EXTERNAL EXCITATION/FEEDBACK
CONNECTION 1 & 2
MATING CONNECTOR PN: NEUTRIK NC4FX-B

RJ45 COMMUNICATION PORT

POWER CONNECTION
120 OR 230 VAC
1 ϕ

ON/OFF SWITCH

TOUCH SCREEN
USER INTERFACE



APPROVED	-	-		TITLE: SERIS 32 DUAL CONFIG. OUTLINE DRAWING
ENGINEER	-	-		
CHECKED	-	-		
DRAWN	SPH	7/14/17		
UNLESS OTHERWISE SPECIFIED:			DATE	
BASIC DIM.	DECIMAL	FRACTIONS		
	2PLCS	3PLCS		
UNDER 6"	± 0.02	± 0.010	$\pm 1/32$	
6" TO 24"	± 0.03	± 0.020	$\pm 1/16$	
OVER 24"	± 0.06	± 0.030	$\pm 1/8$	
SIZE	DWG. NO.	REV		
C	4642	A		
NOT TO SCALE/REF. ASS'Y:			SHEET 1 OF 1	