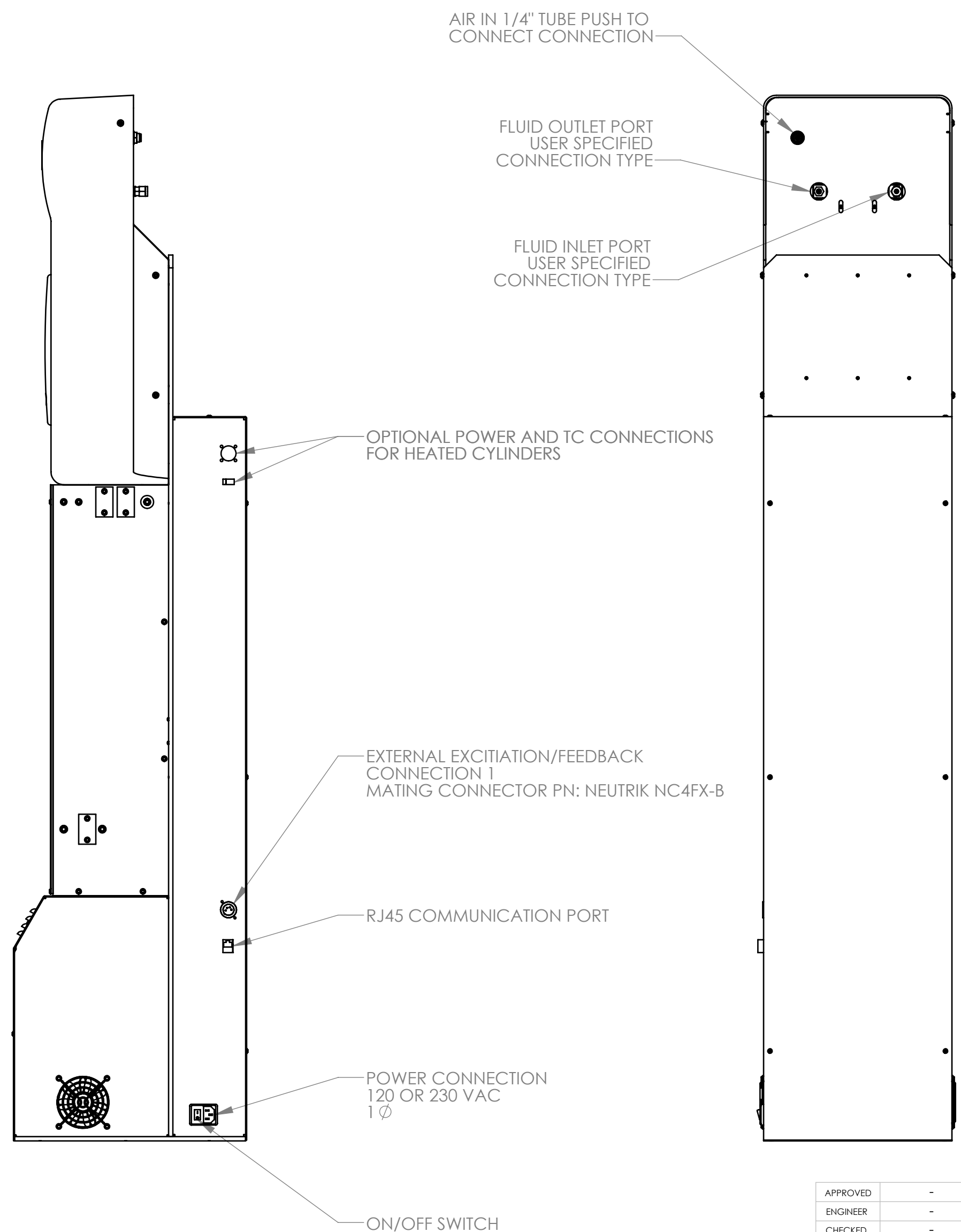
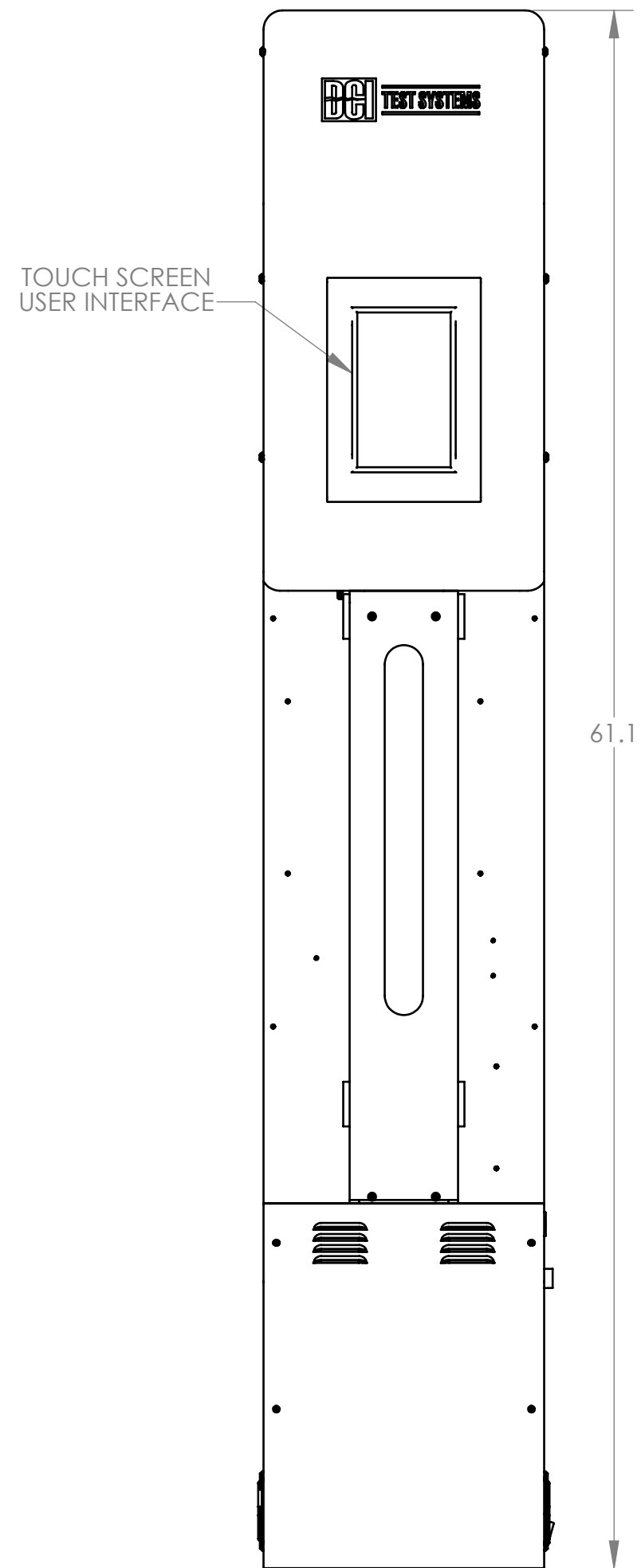
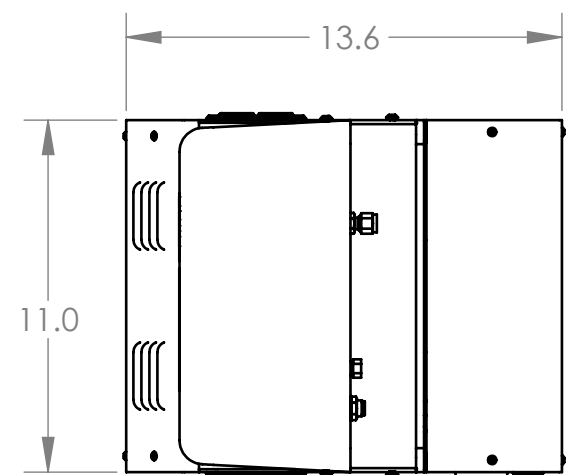


THIS DRAWING AND ITS DESIGN AND ITS DETAILS ARE THE PROPERTY OF DCI CORPORATION AND SHALL NOT BE COPIED IN WHOLE OR IN PART WITHOUT WRITTEN CONSENT OF DCI CORPORATION. ALL RIGHTS OF DESIGN AND INVENTION ARE RESERVED.

REVISIONS				
ZONE	REV.	DESCRIPTION	DATE	APPROVED
-	A	INITIAL RELEASE	7/14/17	SPH



APPROVED	-	-		TITLE: SERIES 32 SINGLE CONFIG. OUTLINE DRAWING
ENGINEER	-	-		
CHECKED	-	-		
DRAWN	SPH	7/14/17		
UNLESS OTHERWISE SPECIFIED:			DATE	
BASIC DIM.	DECIMALS	FRACTIONS		
UNDER 6"	± 0.02	± 0.010	± 1/32	
6" TO 24"	± 0.03	± 0.020	± 1/16	
OVER 24"	± 0.06	± 0.030	± 1/8	
SIZE DWG. NO. C 4643				REV A
NOT TO SCALE REF. ASS'Y:				SHEET 1 OF 1